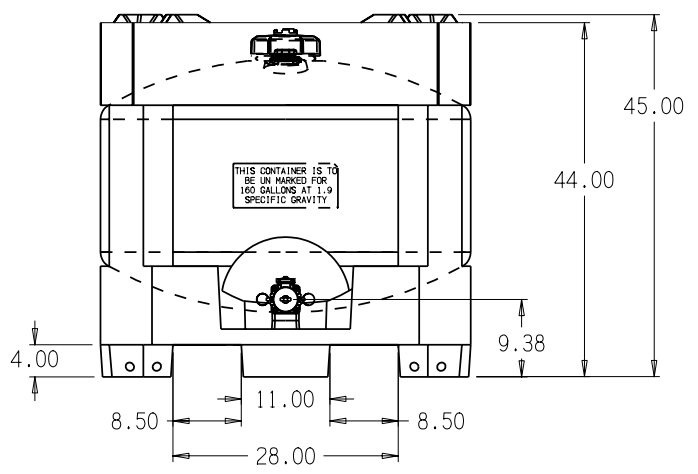


THIS CONTAINER IS TO
BE UN MARKED FOR
160 GALLONS AT 1.9
SPECIFIC GRAVITY

160 STANDARD ULTRATAINER "STANDARD PACKAGE OF OPTIONAL EQUIPMENT"

ITEM #	DESCRIPTION	QTY	P/N
1	TANK - W/ 6" HEAVY DUTY CAP, (2) BUNG LOCATIONS, AND 2" BOTTOM DRAIN - NATURAL [HDLPE]	1	68145
2	BASE - 4 WAY PALLET JACK ACCESS - BLUE [HDLPE]	1	680179
3	TOP PROTECTOR - BLUE [HDLPE]	1	670178
4	PIN ASSEMBLY WITH BOLTS - TO ASSEMBLE TOP PROTECTOR	1	34700905
5	SII PROPRIETARY 2" NPS REPLACEABLE BUNG W/ VITON O-RING SEAL - [GLASS FILLED PP]	2	34100008 33100039
6	2" NPS RIEKE BUNG PLUG WITH EPDM GASKET - [PE]	2	34700340
7	6" HEAVY DUTY CAP W/ 2" NPS CENTER OPENING AND EPDM GASKET - [PE] INCLUDES LANYARD	1	34700391
8	SII PROPRIETARY 2" VACUUM RELIEF VENT WITH EPDM DISK AND GASKET - [PE] AVERAGE GRAVITY FLOWRATE OF 70 GAL/MIN	1	34700854
9	2" BANJO STANDARD PORT BOTTOM DRAIN VALVE WITH TEFLON BALL AND SEATS AND 18/8 SS BOLTS [GLASS FILLED PP] INCLUDES DUST CAP AND LANYARD	1	34700718



(all dimensions in inches)

PART # TANK: 68145

160 GALLON STANDARD ULTRATAINER W/ 6" HD CAP

REF#: 0000

01/06/11