

U.N. MARKING PER P004789 READS

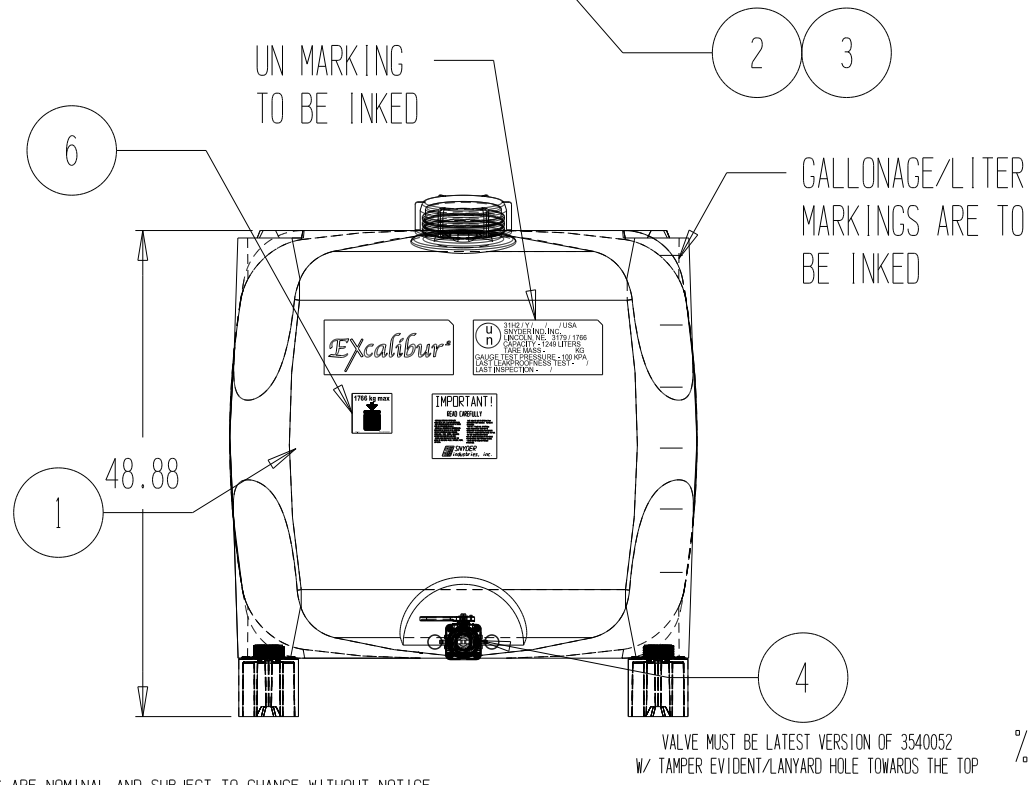
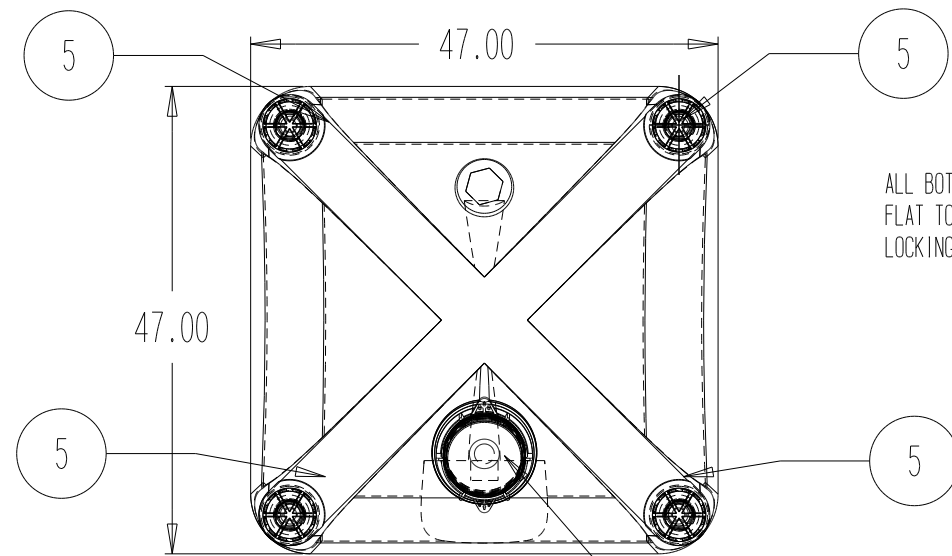
u
 31H2/Y/ / /USA  
 SNYDER IND. INC.  
 LINCOLN, NE. 3179/1766  
 CAPACITY - 1249 LITERS  
 TARE MASS - KG  
 GAUGE TEST PRESSURE - 100 KPA  
 LAST LEAKPROOFNESS TEST - /  
 LAST INSPECTION - /

5

ALL BOTTOM BUNG LOCATIONS ARE TO BE MOLDED FLAT TO ENSURE PROPER ENGAGEMENT OF THE LOCKING RIDGES ON THE INJECTION MOLDED FEET

\* DENOTES A CUTSHEET EXISTS FOR THIS ITEM IN THE CUTSHEET DATABASE.  
 % DENOTES THIS IS A LINE ITEM IN THE CONFIGURATION.  
 # DENOTES THIS IS A SEPERATE LINE ITEM ON THE ORDER. (TO SHIP LOOSE)

16	X		X	X
15	X		X	X
14	X		X	X
13	X		X	X
12	X		X	X
11	X		X	X
10	X		X	X
* 9	STD IBC ASSEMBLY KIT - NO BAG	1		34701648
8	X		X	X
7	X		X	X
* 6	DECAL STACK RATING 330 EXCAL 1.35	1		99700597
5	EXCALII FOOT PE BLACK	4		34300341
* 4	ASM VALVE 2IN 4-BOLT STUBBY	1		34700718
* 3	ASM VENT PE 2IN VACUUM SII W/EPDM	1		34700822
2	CAP 6IN HDLPE W/2IN NPS W/EPDM	1		34300314
% * 1	ASM TK 330 EXCAL2 6C ORB 1.35	1		6510101B96002
ITEM#	DESCRIPTION	QTY.		P/N



VALVE MUST BE LATEST VERSION OF 3540052 W/ TAMPER EVIDENT/LANYARD HOLE TOWARDS THE TOP

ALL DIMENSIONS ARE NOMINAL AND SUBJECT TO CHANGE WITHOUT NOTICE.

© SNYDER INDUSTRIES, INC., 2015

SNYDER INDUSTRIES INC. CLAIMS PROPRIETARY RIGHTS IN THE MATERIAL DISCLOSED HEREON. NEITHER THIS DRAWING NOR ANY PRODUCTION THEREOF MAY BE USED TO MANUFACTURE ANYTHING SHOWN HEREON WITHOUT PERMISSION IN WRITING FROM SNYDER INDUSTRIES INC. TO USER SPECIFICALLY REFERRING TO THIS DRAWING.

330 EXCALIBUR 2 1.35 STD

PART # TANK: 6510101B96002

P.O.#  
REF#: 00000

01/23/2015