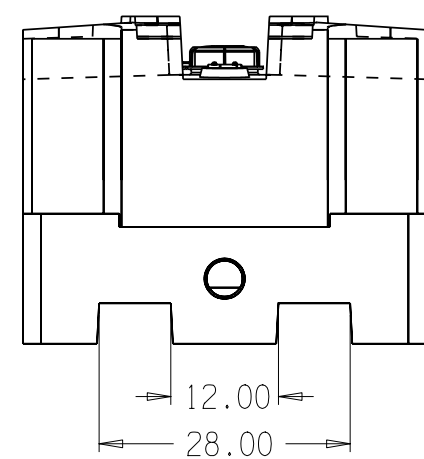
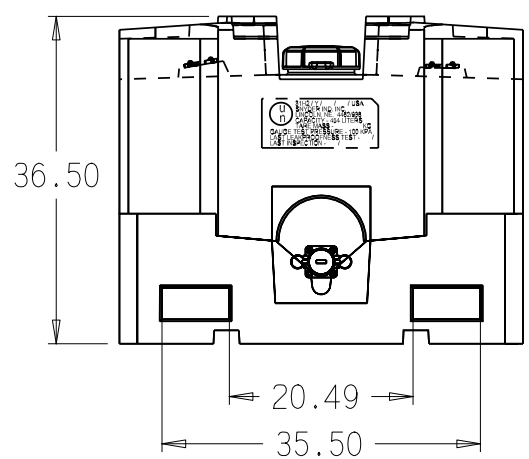
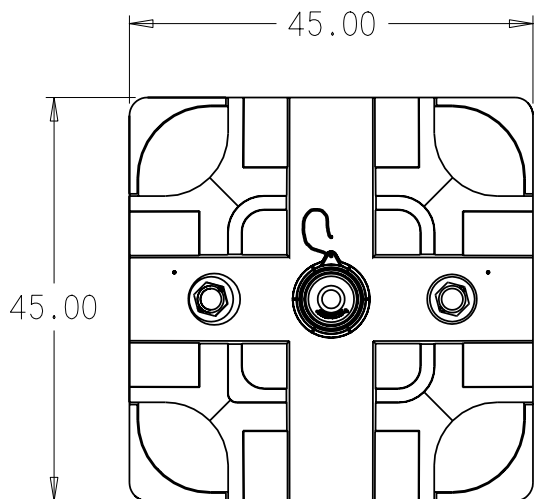
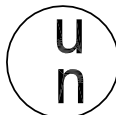


**PREMIUM 120 SQUARE STACKABLE "STANDARD PACKAGE OF OPTIONAL EQUIPMENT"**

ITEM	DESCRIPTION	QTY	P/N
1	120 GAL TANK W/ 6" CAP, (2) BUNG LOCATIONS [(1) STRAIGHT (1) ANGLED], AND 2" BOTTOM DRAIN - NATURAL [HDLPE]	1	66645
2	PREMIUM BASE - 4 WAY FORKLIFT ACCESS - RED [HDLPE]	1	62123
3	SII PROPRIETARY 2" NPS REPLACEABLE BUNG W/ VITON O-RING SEAL - [GLASS FILLED PP]	2	34100008 33100039
4	2" NPS RIEKE BUNG PLUG WITH EPDM GASKET - [PE]	2	34700340
5	6" HEAVY DUTY CAP W/ 2" NPS CENTER OPENING AND EPDM GASKET - [PE] INCLUDES LANYARD	1	34700391
6	SII PROPRIETARY 2" VACUUM RELIEF VENT WITH EPDM DISK AND GASKET - [PE] AVERAGE GRAVITY FLOWRATE OF 70 GAL/MIN	1	34700854
7	2" BANJO STANDARD PORT BOTTOM DRAIN VALVE WITH TEFLON BALL AND SEATS AND 18/8 SS BOLTS [GLASS FILLED PP] INCLUDES DUST CAP AND LANYARD	1	34700718



UN MARKING READS:


 31H2/Y/ / / USA  
 SNYDER IND. INC.  
 LINCOLN, NE. 4462/938  
 CAPACITY - 454 LITERS  
 TARE MASS - KG  
 GAUGE TEST PRESSURE - 100 KPA  
 LAST LEAKPROOFNESS TEST - /  
 LAST INSPECTION - /

(all dimensions in inches)

PART # TANK: 66645

**PREMIUM 120 GALLON SQUARE STACKABLE IBC**

REF#: 0000

01/04/11