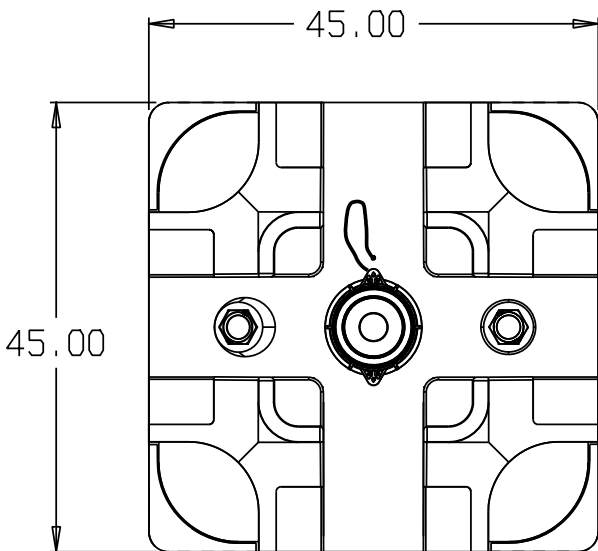
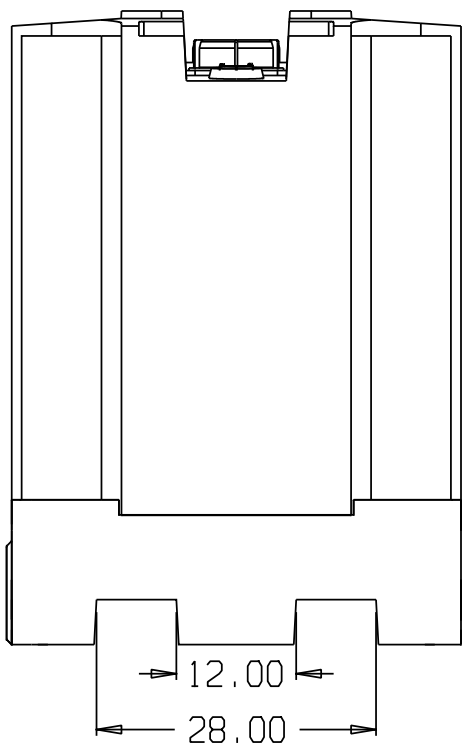
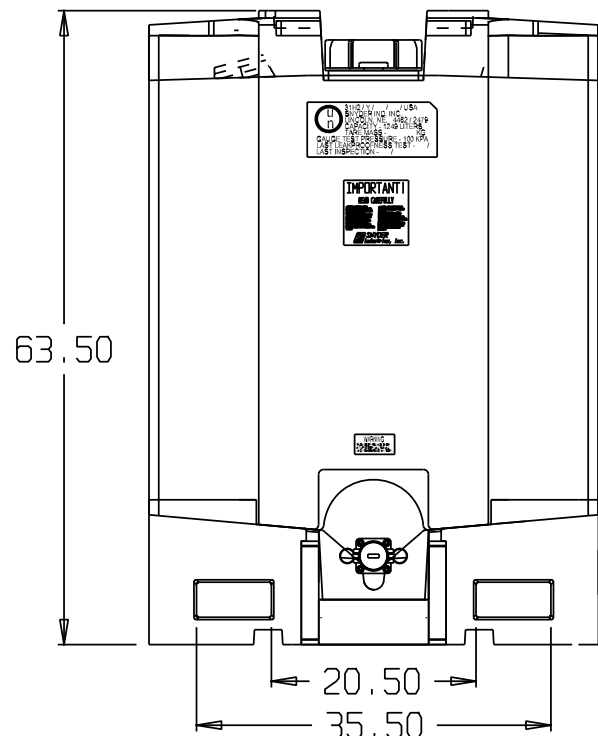


PREMIUM 330 SQUARE STACKABLE PREMIUM STANDARD ASSEMBLY

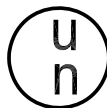
SNYDER INDUSTRIES INC.



ITEM#	DESCRIPTION	QTY.	PART NUMBER
1	TANK-2BUNG TANK WITH 6.5" CAP AND BOTTOM DRAIN HDLPE NATURAL. WITH CAP LANYARD INSERT BUT WITHOUT TAMPER EVIDENCE INSERTS MOLDED IN.	1	6610000B97201
2	BASE-PREMIUM 4 WAY FORLIFTABLE HDLPE RED.	1	6210000B97601
3	2" NPS RIEKE POLYETHYLENE BUNG PLUGS WITH EPDM FLAT GASKETS.	2	34700340
4	6.5" GEM CAP WITH 2" NPS CENTER OPENING AND EPDM CAP GASKET EQUIPPED WITH LID TIE.	1	34700795
5	S.I.I. 2" NPS VACUUM RELIEF VENT WITH EPDM DISK AND FLAT GASKET (AVERAGE GRAVITY FLOW RATE OF 70 GALLONS PER MINUTE).	1	34700822
6	2" BANJO STANDARD PORT GLASS FILLED POLYPROPYLENE BOTTOM DRAIN VALVE WITH TEFLON SEATS AND BALL AND 18/8 S.S. BOLTS. INCLUDES DUST CAP AND CAP LANYARD.	1	34700718



U.N. MARKING ON TANK READS:


 31H2 / Y / MO. / YR. / USA
 SNYDER IND. INC.
 LINCOLN, NE. 4462 / 2479
 CAPACITY - 1249 LITERS
 TARE MASS - ACTUAL KG
 GAUGE TEST PRESSURE - 100 KPA
 LAST LEAKPROOFNESS TEST - MO. / YR.
 LAST INSPECTION - MO. / YR.

(all dimensions in inches)
IBC TANK PART# 6610000B97202L

PREMIUM 330 GALLON SQUARE-STACKABLE IBC