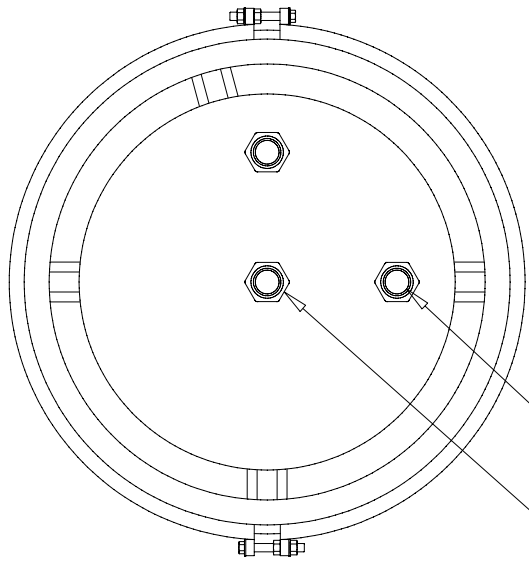


POLY VISCO Drum

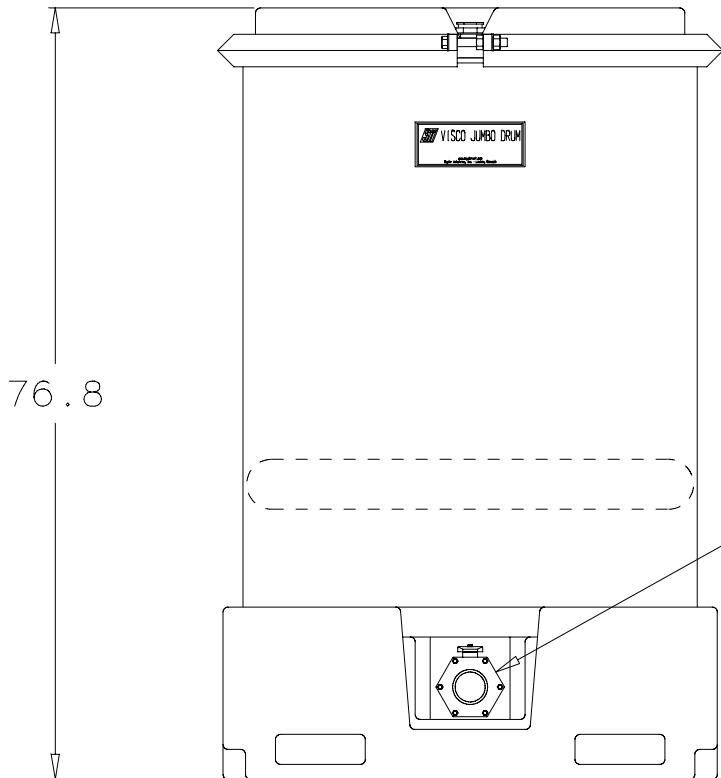
Sii P/N	Capacity	OAH
19361	330 Gal	76.8

**SNYDER INDUSTRIES, INC.**



— STD 2IN PRESSURE/VACUUM VENT

— STD 2IN BULKHEAD FITTINGS ( 3 )



— STD 3IN BALL VALVE DISCHARGE

Notes:

1. Tank to be constructed of LLDPE, white in color.
2. Tank to be hydrotested at 15 PSI.
3. All carbon steel parts to receive a shop coat of Trans Blue over a clean dry surface.

© Copyright Snyder Industries, Inc. 2008



(All dimensions in inches.)

POLY VISCO DRUM 330 GALLON

Standard POLY VISCO Drum  
 45.5" O.D.