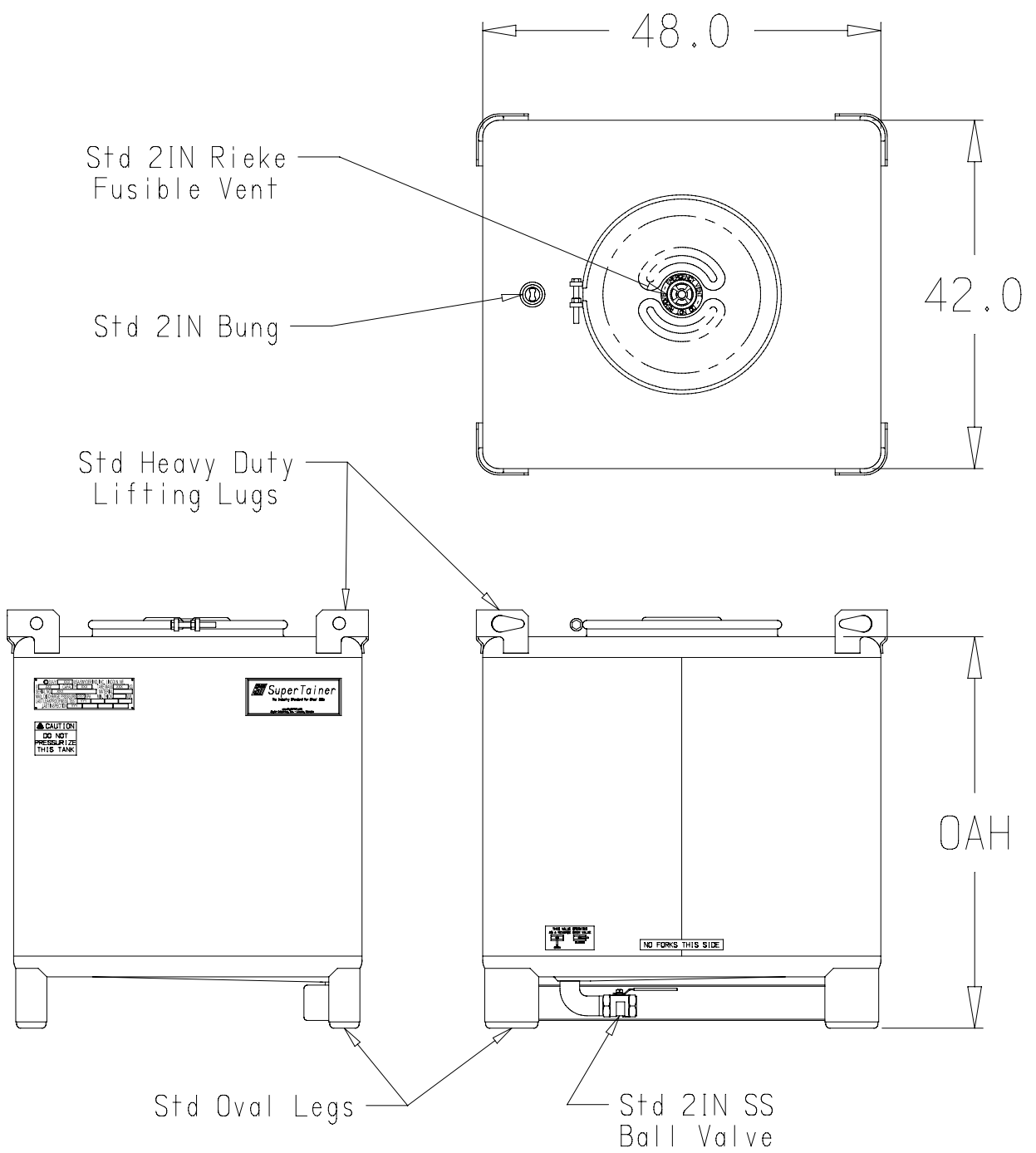


SuperTainer - Stainless Steel

Sii P/N	Capacity	OAH
18222	180 Gal	29.2
18223	275 Gal	41.2
18224	350 Gal	47.2
18225	446 Gal	59.2
18226	550 Gal	71.2

This tank has been tested and certified to meet D.O.T. requirements per 49 C.F.R., Part 178, Subpart N and Subpart O for metal intermediate bulk containers for liquids intended for the transportation of hazardous materials. (Identification code 31A1 Y)
 Meets Packing Group II and Group III tests for liquids up to 1.9 specific gravity.
 See 49 C.F.R. Part 172.101 Hazardous Materials Table for packaging authorizations.



Notes:

1. Tank is designed and constructed in accordance with U.N. Specifications
2. Tank is air tested @ 3 PSI
3. All welds cleaned of slag and spatter
4. Tank interior and exterior are electro-cleaned
5. Drum lid to be installed by: Strike ring around circumference with a mallet then tighten bolt with a wrench. Repeat until bolt tightening resistance does not change (Ref: 40 lb-ft)
6. 2IN bung to be installed 3/8-1/2 rotation beyond solid gasket contact (Ref: 30 lb-ft)

(All dimensions in inches.)

© Copyright Snyder Industries, Inc. 2008



SUPERTAINER 42X48 STAINLESS STEEL

Standard SuperTainer IBC
 42" X 48"