



Wide Mouth Ultratainers

Reduce your cost of cleaning, drying and inspection before reuse.



The Ultratainer brings together the superior structural integrity of a cylindrical tank with the easy-to-handle benefits of a square shape. In the past, the expense of cleaning IBCs has seriously eaten into the bottom line profits of companies that reuse these types of tanks. Snyder's wide-mouth, cylindrical design makes cleaning more cost effective.



The wide mouth version of **Ultratainer** also offers an optional disposable liner system that lets you eliminate the cleaning process altogether. Just replace the **Ultratainers** unique interior tank lining and it's ready to be reused.

Options add to the **Ultratainer's** versatility.

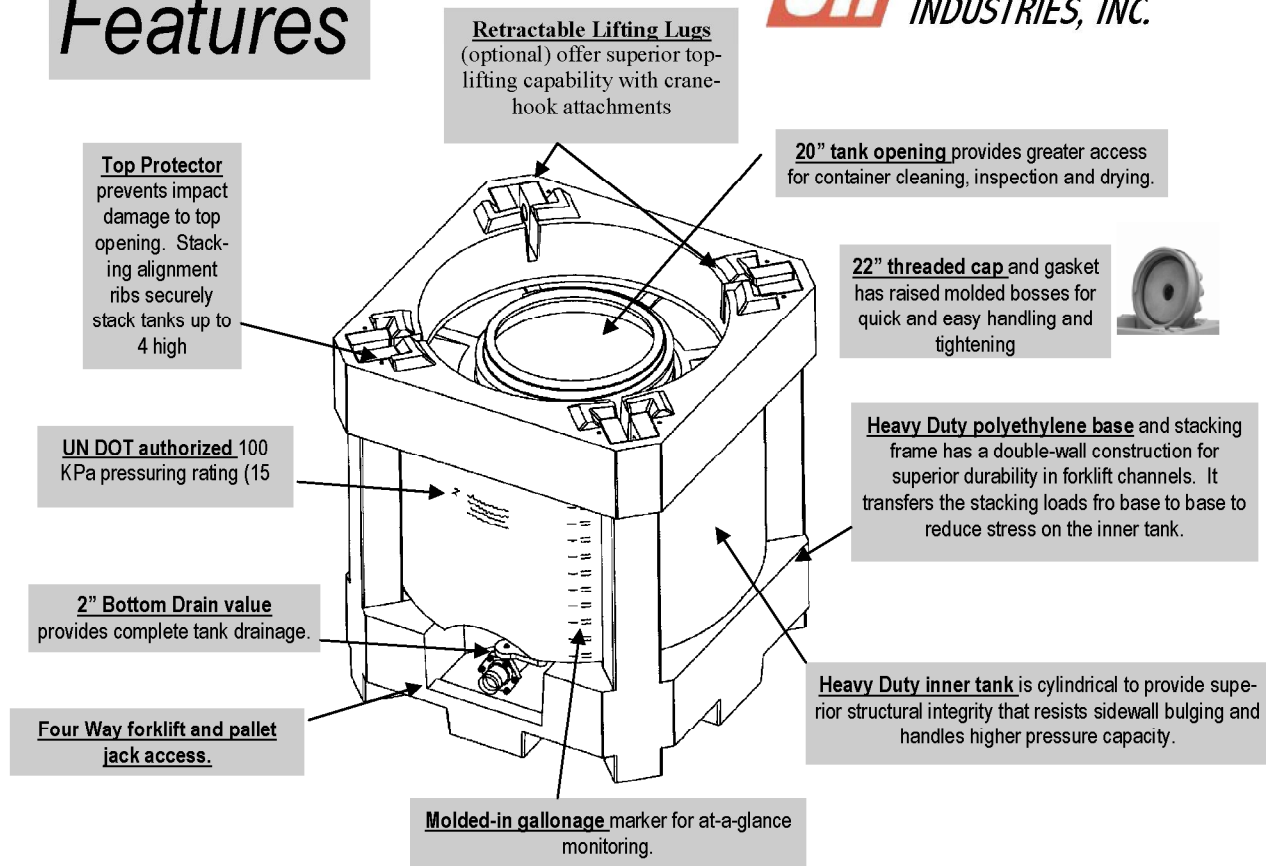
- Top-lifting lugs allow the use of crane-hook attachments.
- Cleaning head assembly
- Cone Bottom with 2 or 3" ball valve
- Sanitary valve and fitting connections
- Anti-teeter bars
- Pressure & vacuum relief devices, draw tubes closures, hose assemblies, alternative gaskets and valve materials

The Wide Mouth Ultratainers is another example of how Snyder Industries responds to your special needs with products that improve your company's efficiency and effectiveness in bulk packaging, handling, and transportation. That's why we are North America's leading manufacturer of polyethylene IBCs.

www.snydernet.com



Features



Wide Mouth Ultratainer Specifications

| Capacity | Tare Weight | Length | Width | Height |
|-----------|---------------------------|--------|-------|--------|
| 220 Gals. | 293 lbs. 300 lbs. (LN) | 46" | 46" | 54" |
| 275 Gals. | 315 lbs. 321 lbs. (LN) | 46" | 46" | 62" |
| 330 Gals. | 335 lbs. 341 lbs. (LN) | 46" | 46" | 70" |

Standard: Test pressure rating: 14.7 P.S.I.G. • Material weight rating: 1.9 specific gravity. Stacking capacity is 2-3 units high (depending on container size, weight and temperature exposure). Ultra-Liner System (LN); Enables container to be used with replaceable/disposable liner system. Patent #5,490,603

Intermediate Bulk Containers Division • P.O. Box 4583 • Lincoln, Nebraska 68504
 Phone: 402-467-5221 • Fax: 402-465-1220
www.snydernet.com